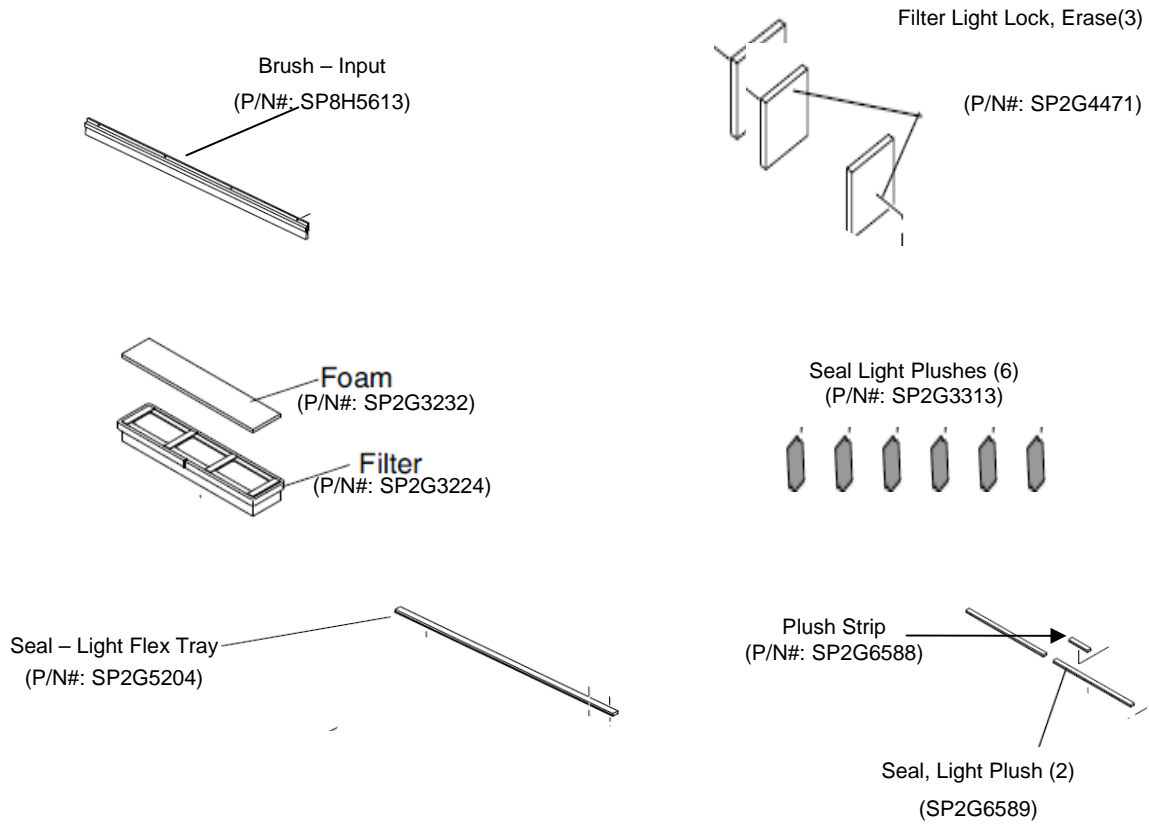
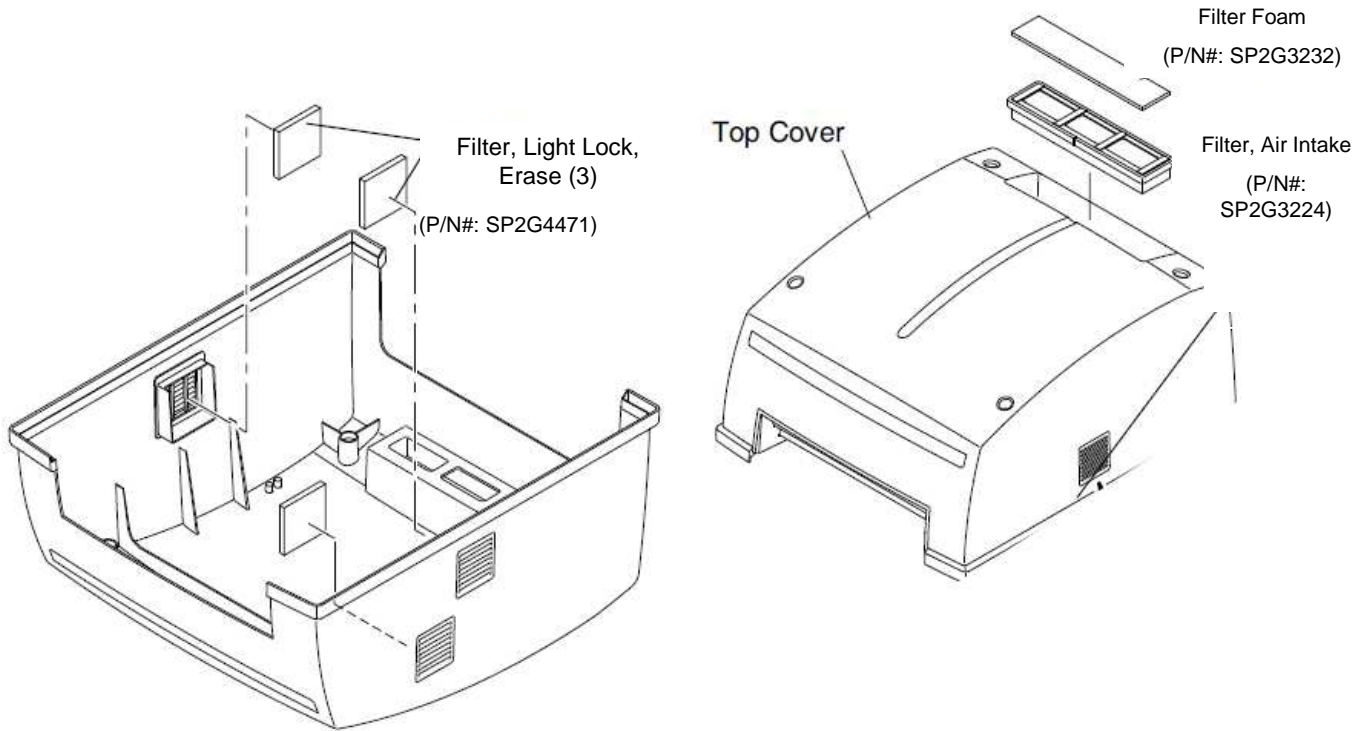


# Preventative Maintenance Kit (SP2G7712) Includes:



Part #	Description	Qty Included
<b>SP2G7712</b>	<b>Preventative Maintenance Kit Includes:</b>	
SP8H5613	Brush - Input	1
SP2G3232	Filter, Foam	1
SP2G3224	Filter, Air Intake	1
SP2G4471	Filter – Light Lock, Erase	3
SP2G3313 (replacement for SP2G6062)	Seal - Light Plush	6
SP2G5204	Seal - Light Flex Tray	1
SP2G6589	Seal - Light Plush	2
SP2G6588	Seal - Light Plush	1

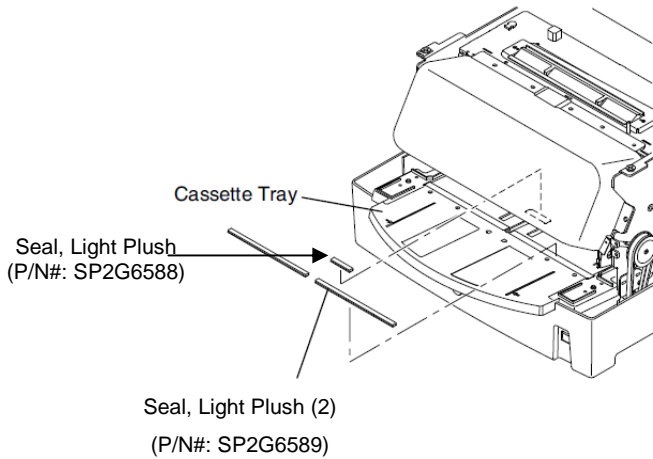
# Air Filtration Replacement Parts



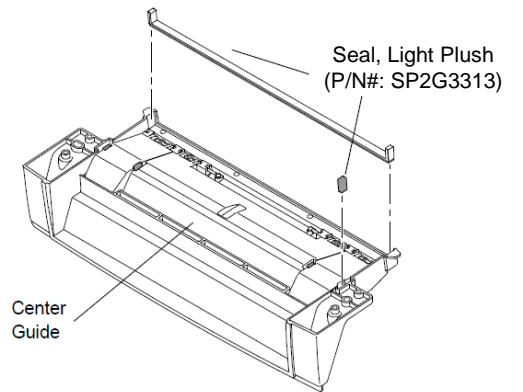
Part #	Description	Qty Required
SP2G4471	Filter, Light Lock, Erase	3
SP2G3232	Filter, Foam	1
SP2G3224	Filter, Air Intake	1

# Brush and Plush (felt) Replacement Parts

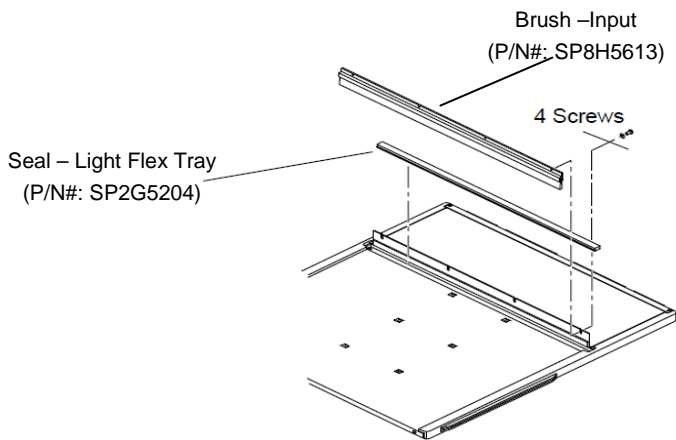
## Cassette Tray



## Roof Assembly (upside down)



## Flex Feed Tray

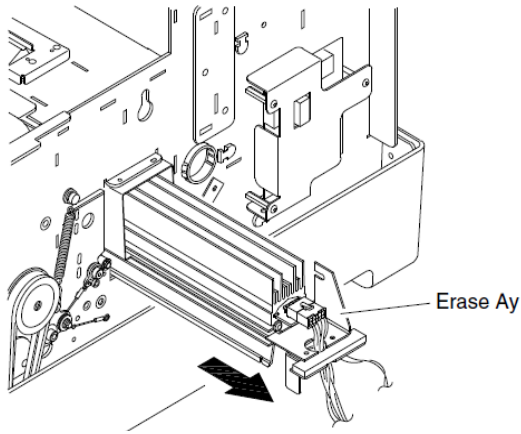


Part #	Description	Qty Required
SP8H5613	Brush - Input	1
SP2G3313 * (replacement for SP2G6062)	Seal - Light Plush	6
SP2G5204 *	Seal - Light Flex Tray	1
SP2G6589 *	Seal - Light Plush	2
SP2G6588 *	Seal - Light Plush	1

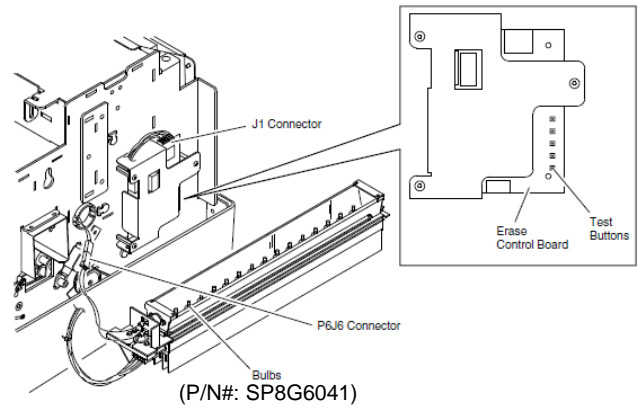
Parts denoted by an (\*) are only available as part of the Preventative Maintenance Kit P/N#: SP2G7712.

# Erase Bulbs - Replacement Parts

## Removing Erase Assembly



## Locating Erase Lamp Tester Buttons



Part #	Description	Qty Required
SP8G6041	Bulb Erase (unit uses 15 bulbs, replace as needed)	As needed